

ZEN-7000

# The "Performance Standard" in Digital Imaging

Powerful, Stylish,  
Performance C-Arm



Light, powerful, versatile, performance C-Arm!  
It manufactured by experts, ZEN-7000



With Performance C-Arm **ZEN-7000**  
**A new level of Clarity and Power**

**More Powerful than Ever**

- Powered by a Rotating Anode
- Heavy-weight performance: 120kV / 20mA

**Easily accessible !**

- Full operation provided by LCD touch panel screen (body & cart)
- USB port provides easier & simple way for obtaining images from ZENIS-II system

**Safety assured**

- Automatic shut off to prevent over heating
- Counter balance to prevent swaying
- Emergency switch

**Features**

- Virtual collimation
- Tri-mode 9" I.I
- 1K x 1K CCD technology
- ZENIS-II cart



[ Real Time Display ]



[ Sharp Contrast ]



[ Surgery Assistant ]



[ Unlimited Application ]

**Technical Specifications & Dimensions**

**ZEN-7000**

**FUNCTION**

Orbital Movement	135° (45° overcast)
Wig-wag movement	± 12.5°
Vertical movement	50cm
Horizontal movement	20cm
Depth	68cm
Free Space	78cm
SID	100cm
Rotation	± 190°

**GENERATOR**

Inverter Frequency	40 kHz
Power	5 kW
kV range on Fluoroscopy	40-120kV
mA range on Fluoroscopy	0.2~6mA
kV range on Radiography	40~120kV
Max value of radiography current	65 mA
mAs	0.4~100mAs
Snap Shot	1~25mA

**TUBE**

Anode Heat Capacity (HU)	300,000
Small Focus	0.3 mm
Large Focus	0.6 mm
Anode Type	Rotating
COLIMATOR	Iris and Rot blades
Laser(Optional) Pointing	Yes
I.I	9"
Monitor	19" (2 mon.)
Camera Type	CCD camera (1,000x1,000 pixel)

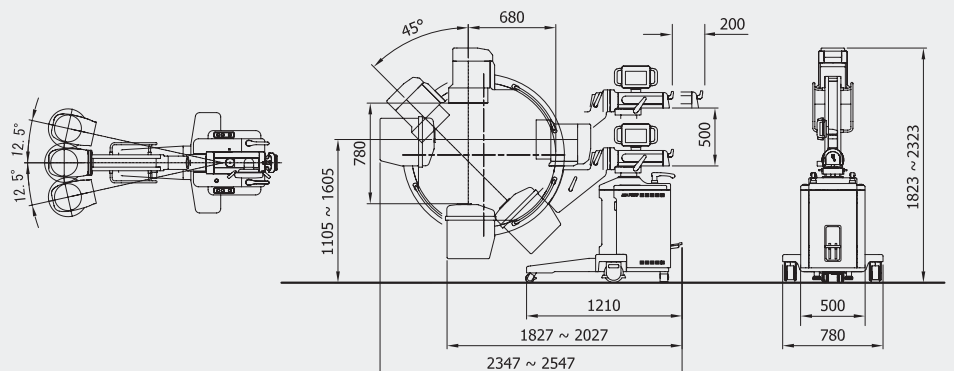
**DIGITAL MEMORY, IMAGE PROCESSING**

ZENIS system (option)

**DIGITAL MEMORY, IMAGE PROCESSING**

Image capacity	100,000
LIH	Yes
Image changing between monitors	Yes
Edge enhancement	Yes
Digital record mode	Yes
Zoom and roam	Yes
Negative-positive image	Yes
Cine Loop	Yes
Real time auto windowing	Yes

\* The specifications above can be changed to improve performance.



**GENORAY. Co., Ltd**  
#512 Byucksan Technopia 434-6, Sangdaewon1-Dong,  
Jungwon-Gu, Seongnam-City, Gyeonggi-Do, 462-716 KOREA  
TEL : 714-289-8020 FAX : 714-453-9661 genoray@genoray.com

\* All measurements of diagram in mm.